

Karakteristike



- Savaeig? korpuso konstrukcija pagaminta iš cinkuoto plieno plokšt?s, paruoštas montuoti ? netikras lubas.
- It has both internal and external fixings. Electrical and electronic connections inside.
- ?leidimo grotel?s (nereikalauja prieži?ros), pagamintos iš aliuminio profili? ir išp?sto antgalio, integruotos ? vieno balto r?mo spalv? RAL 9016.Kitos spalvos yra prieinamos pagal pageidavim?.
- Anoduoto aliuminio išleidimo ment?s, orlaivio formos.
- Mažo triukšmo sukami kryžminio srauto ventiliatoriai, varomi 2 grei?i? išorinio rotoriaus varikliu.
- "P" type with water heated coil and integrated regulation for ON/OFF or three stages 0-10V proportional valve. „E“ tipo su ekranuotais elektriniais elementais, trij? stadij? su integruotu reguliavimu.„A“ tipo be šildymo, tik oras.
- Advanced Plug&Play control. Includes: Advanced PRO control with LCD display and integrated thermostat, door contact, 7m and remote control. With integrated functions: door delay (configurable); interface mode; operation, alarm and maintenance warning signals; and multiple digital inputs that modify the air curtain's operation.
- Includes protective varnish for the electronic board and control.
- Optional:
  - Auxiliary temperature sensors that improve air curtain control and increase energy savings.
  - Clever PRO intelligent control (automatic, programmable, ModBus via PLC, timer, etc.) with an additional temperature sensor.

Specifikacije

50Hz

Negrejano

Model	(m³/h)	(kW)	(m)
RA 1000 A	2,5-3,5		
RA 1500 A	2,5-3,5		
RA 2000 A	2,5-3,5		

Elektri?no Grejanje

Model	(m³/h)	(kW)	(m)
RA 1000 E	2,5-3,5		
RA 1500 E	2,5-3,5		
RA 2000 E	2,5-3,5		

Vodeno Grejanje

Model	(m³/h)	(kW)	(kW)	(m)
RA 1000 P86	2,5-3,5			
RA 1500 P86	2,5-3,5			
RA 2000 P86	2,5-3,5			
RA 1000 P64	2,5-3,5			
RA 1500 P64	2,5-3,5			
RA 2000 P64	2,5-3,5			

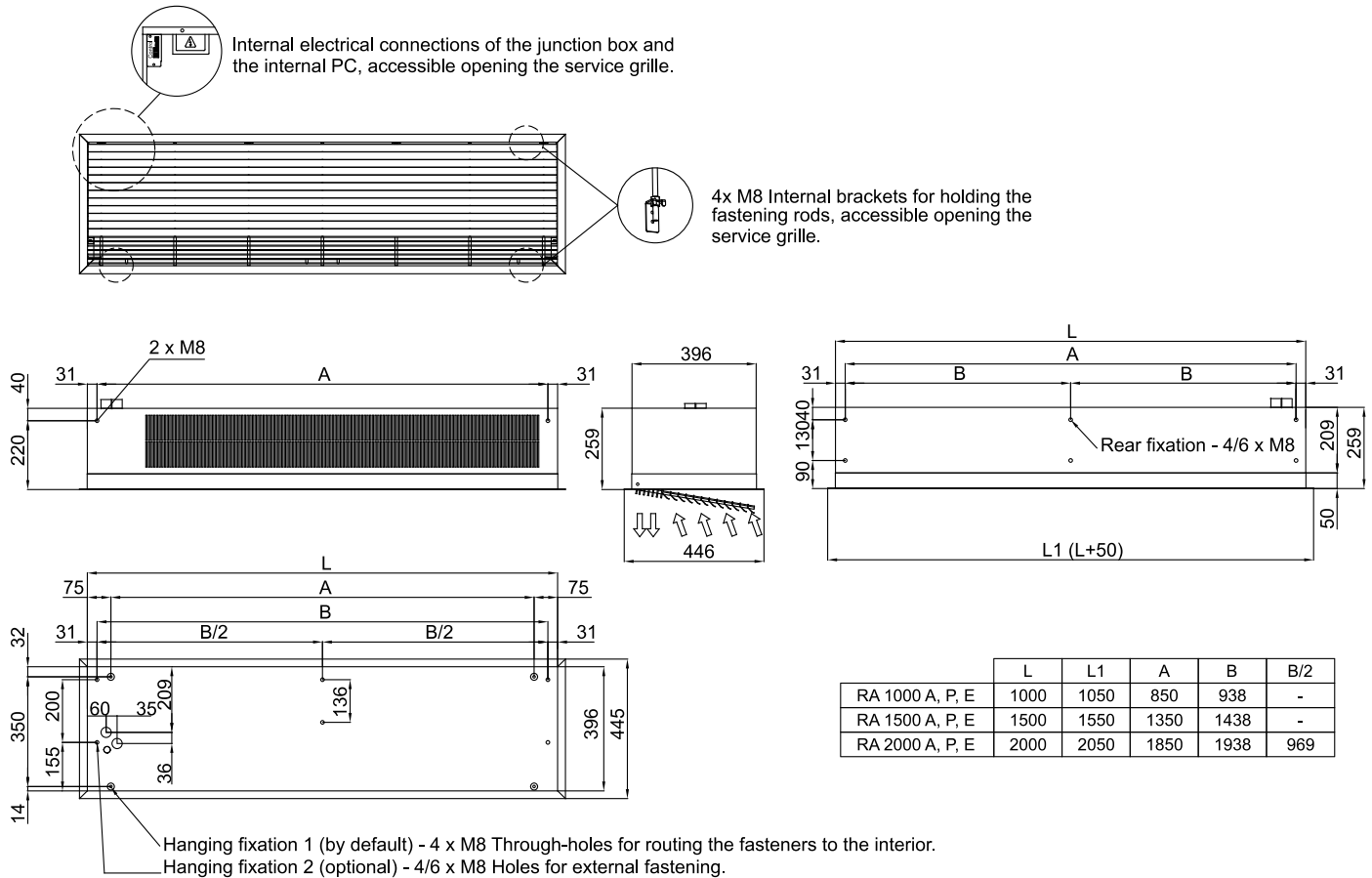
60Hz

Negrejano



Model	(m³/h)	(m)
RA 1000 A 60Hz	2,5-3,5	
RA 1500 A 60Hz	2,5-3,5	
RA 2000 A 60Hz	2,5-3,5	

Dimenzije



	L	L1	A	B	B/2
RA 1000 A, P, E	1000	1050	850	938	-
RA 1500 A, P, E	1500	1550	1350	1438	-
RA 2000 A, P, E	2000	2050	1850	1938	969